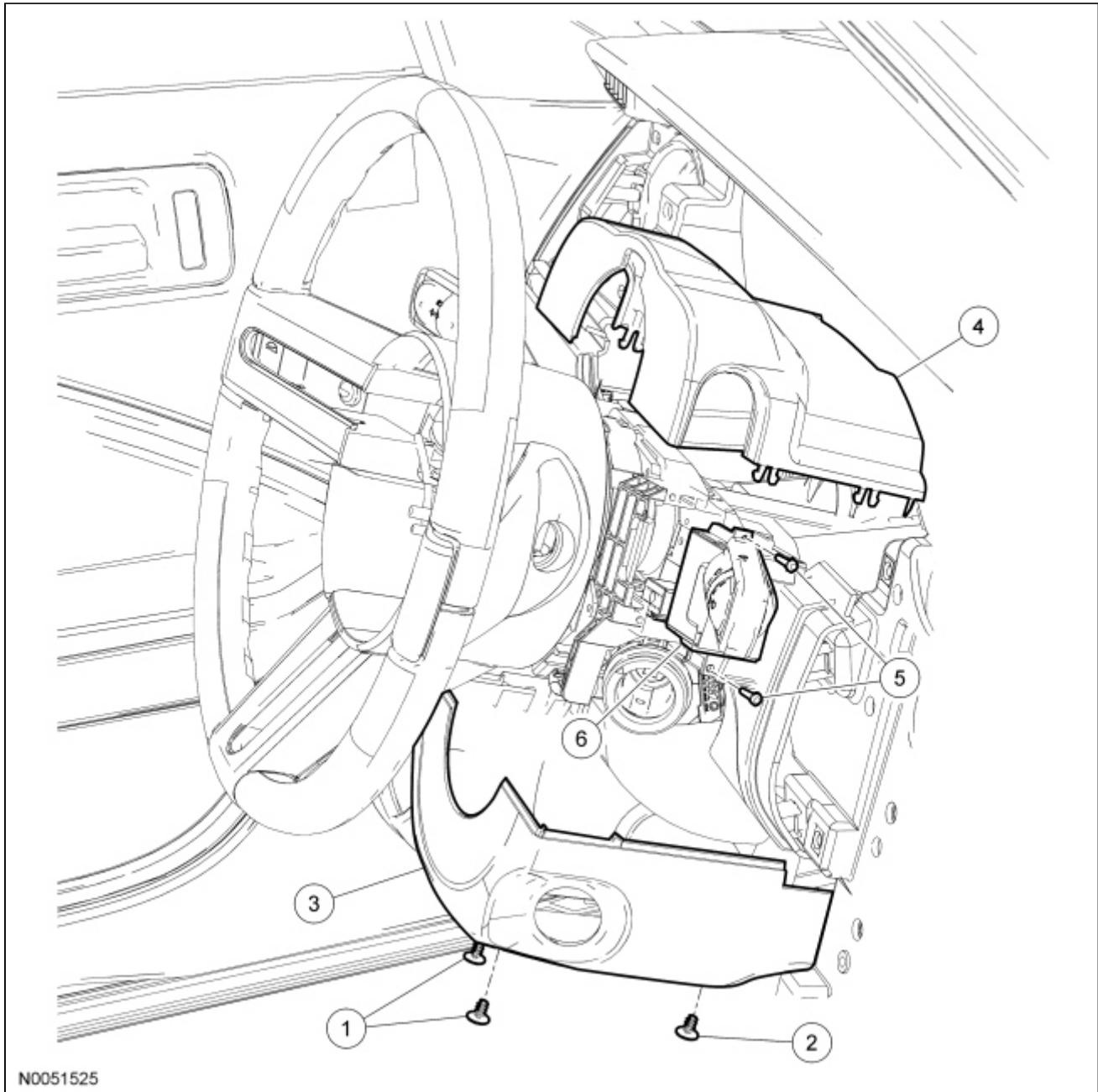


Wiper/Washer Switch

Windshield Wiper/Washer Switch Exploded View



N0051525

| Item | Part Number | Description |
|------|-------------|---|
| 1 | W710937 | Steering column lower shroud screws (2 required) |
| 2 | W706805 | Steering column lower shroud screw |
| 3 | 3530 | Steering column lower shroud |
| 4 | 3530 | Steering column upper shroud |
| 5 | — | Windshield wiper/washer switch screw (2 required) |
| 6 | 17A553 | Windshield wiper/washer switch |

Removal and Installation

1. Remove the 3 screws and the steering column upper and lower shrouds.
 2. Remove the 2 windshield wiper/washer switch screws.
 3. Disconnect the electrical connector and remove the windshield wiper/washer switch.
 4. To install, reverse the removal procedure.
-